

Block-form flow regulator as an intermediate plate between the control valve and actuator acc. to the G 1/4 NAMUR standard.

**3/2-way flow regulators:**

Independent regulation of the forward and return strokes of a single-acting pneumatic actuator.

**5/2-way flow regulators:**

Regulation of the forward and return strokes of a double-acting pneumatic actuator.

Medium:	Air, neutral gases, filtered
Operating temperature:	-20 °C to +70 °C
Working pressure:	0.5 to 10.0 bar
Housing:	Anodised aluminium
Sealant:	NBR
Included with the product:	1 coding pin (not for 551.42), 2 O-rings, 2 fixing screws



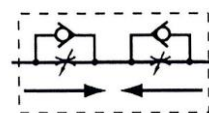
551.51



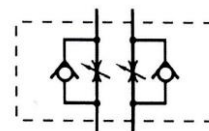
551.52

**Flow regulators for NAMUR valves**

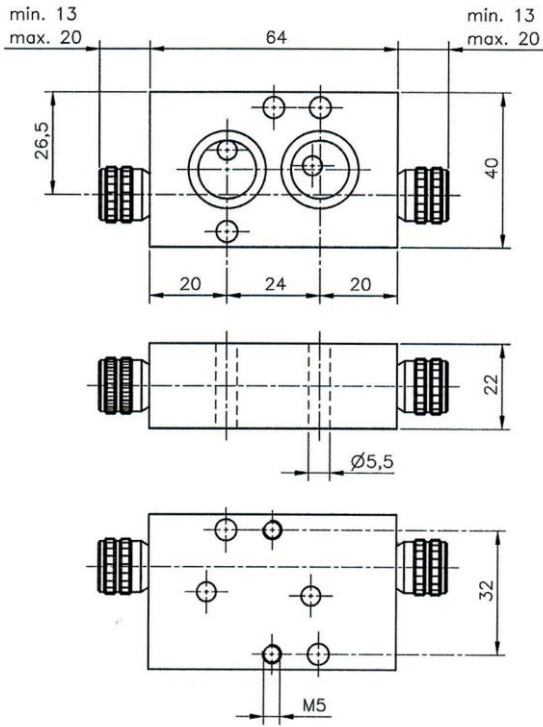
Art. No.	Ident No.	Function	Operation	DN	Flow rate l/min	Weight
551.41	103663	3-way	Knurled screw	5	650	0.2 kg
551.42	103664	3-way	Screwdriver	5	650	0.2 kg


**Flow regulators for NAMUR valves**

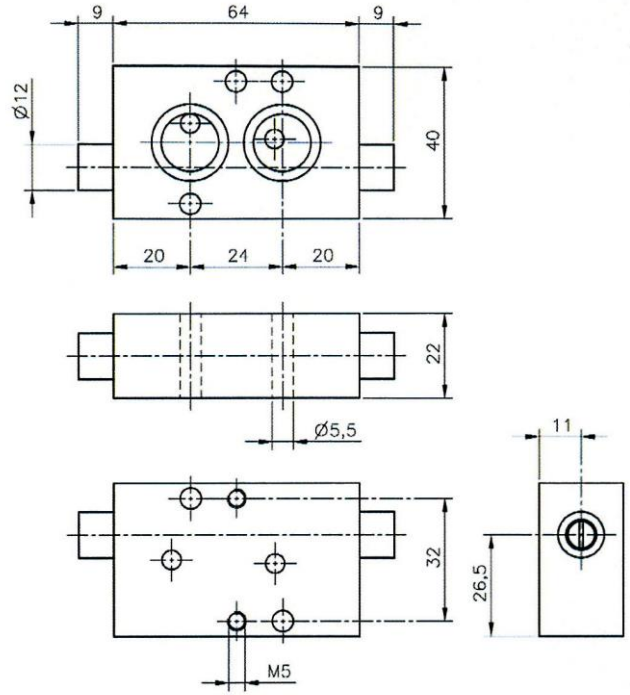
Art. No.	Ident No.	Function	Operation	DN	Flow rate l/min	Weight
551.51	103665	5-way	Knurled screw	5	650	0.2 kg
551.52	103666	5-way	Screwdriver	5	650	0.2 kg



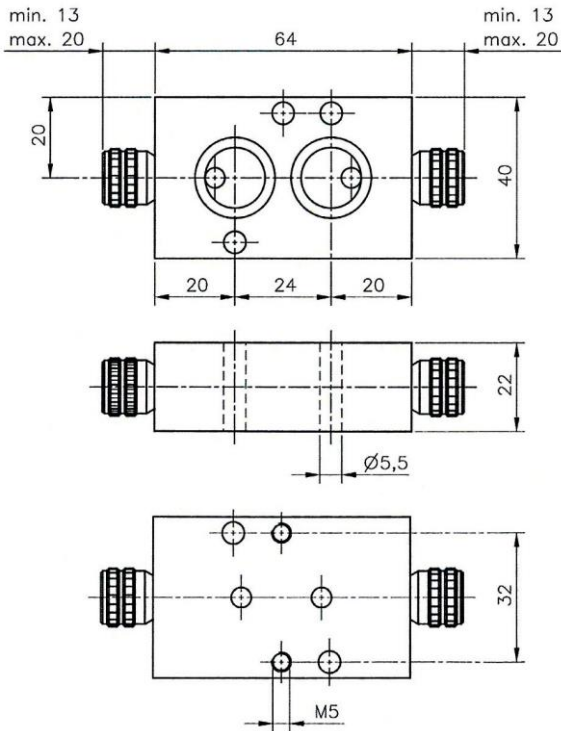
**Dimension:**



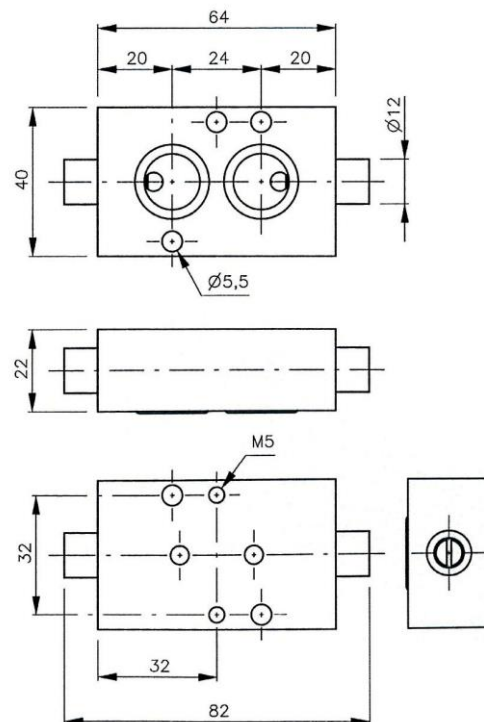
**Art. No. 551.41**



**Art. No. 551.42**



**Art. No. 551.51**



**Art. No. 551.52**